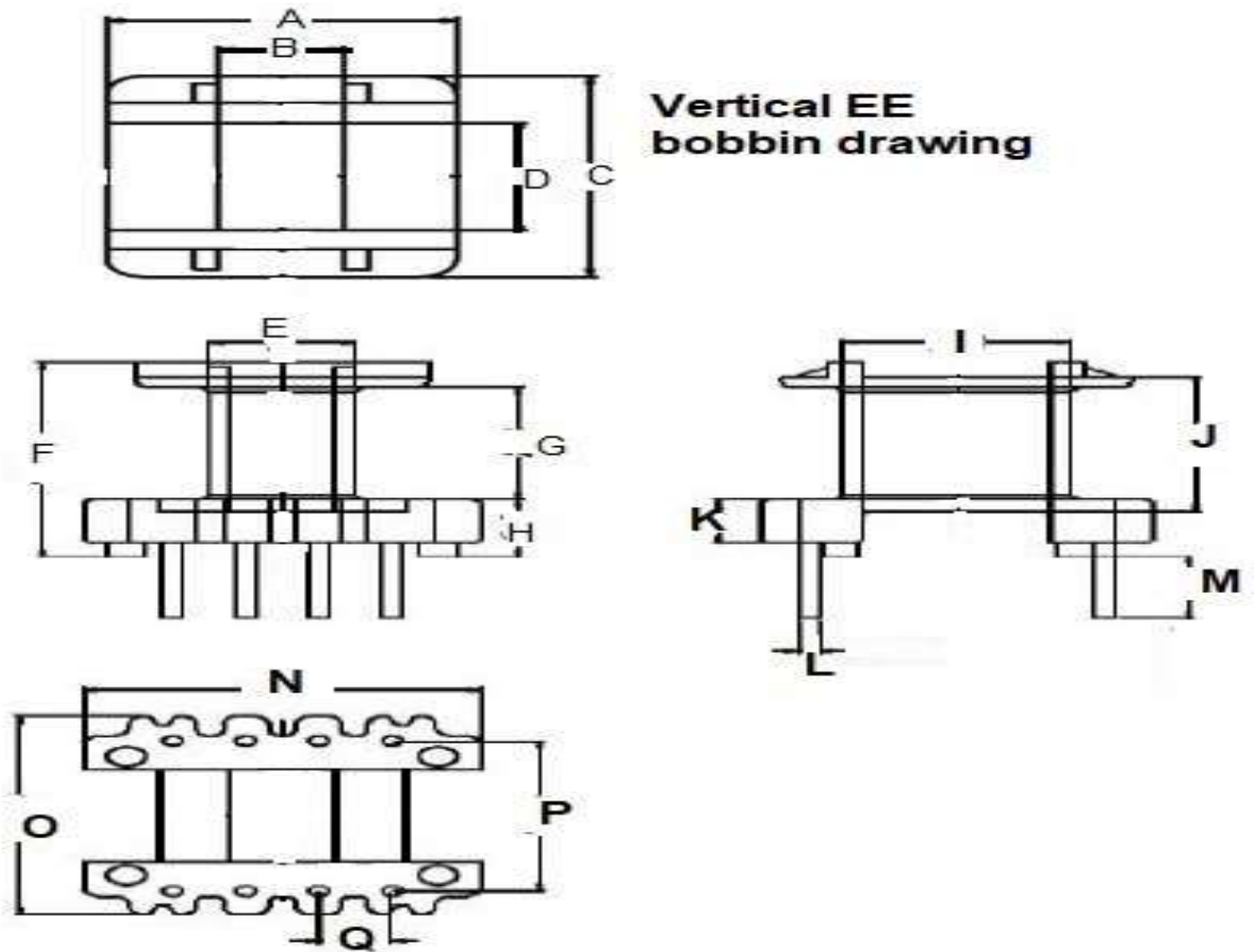


Technical Data Sheet RoHS Compliant Product

EE22*8*13V Bobbin (Vertical)



Product Specifications:

Geometry	Pin	A	B	C	D	E	F	G	H	I	J	K	L	M	N	O	P	Q
EE22*8*13 V	5+5	14.80	6.60	20.90	13.30	8.20	14.80	7.80	4.60	15.00	9.60	2.90	0.70	5.50	20.00	21.60	17.50	3.75

Geometry: EE22*8*13 (V) 5+5 P	Material: Phenolic	Scale:	Angle: $\pm 1^\circ \blacktriangle$
	Pin Material: CP Wire	Unit: mm	Document Rev: 0
	Pin Pitch Tolerance: $\pm 0.20\text{mm}$	UL REQ: UL 94V-0	
	Dimensions Tolerances: 0~4mm: $\pm 0.1\text{mm}$, 4~16mm: $\pm 0.2\text{mm}$, 16~63mm: $\pm 0.3\text{mm}$		